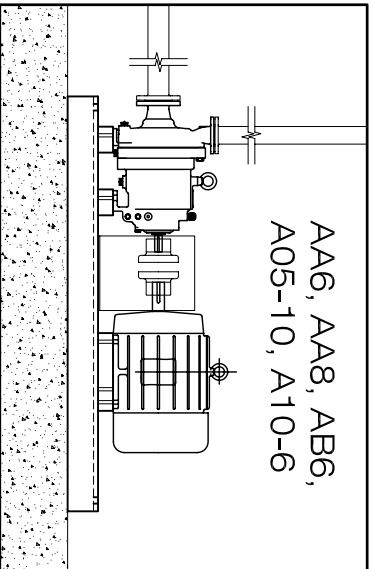
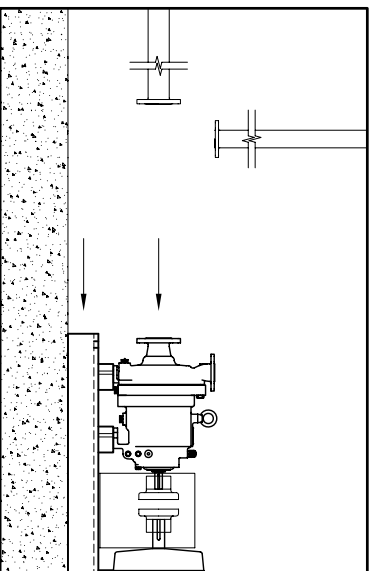


ANSI PUMP REPLACEMENT WITH MAGNETEX MPL SERIES

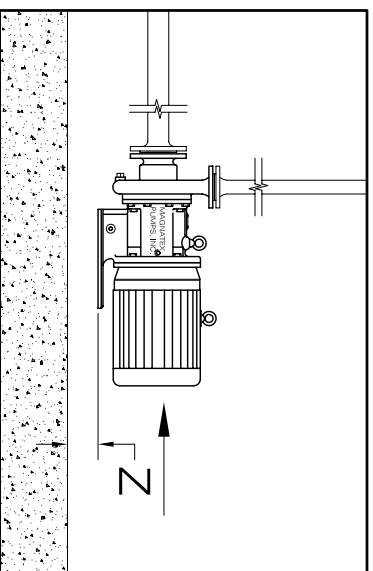
ADAPTOR BLOCK DIMENSIONS



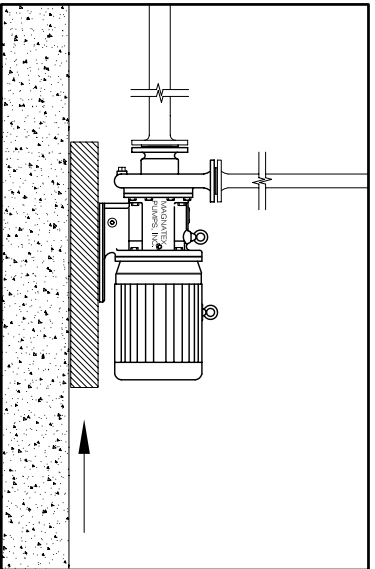
INSTALLED ANSI PUMP



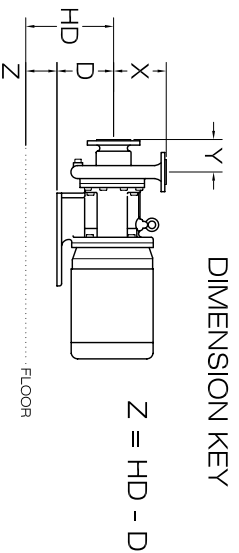
REMOVE ANSI PUMP & BASEPLATE



MAGNETEX MPL PUMP w/o ADAPTER BLOCK



INSERT ADAPTER BLOCK AND ANCHOR APPROPRIATELY



MODEL		MPL			ANSI					
MPL SERIES	ANSI PUMP	X	Y	D	X	Y	BASE	HD	Z ±0.13	
MPL40	AA6	6.50	4.00	9.00	6.50	4.00	139	9.00	0.00	
1 1/2 x 1 x 6	1 1/2 x 1 x 6						148	10.5	1.50	
MPL42 & MPL42LF	AA8	6.50	4.00	9.00	6.50	4.00	153	12.88	3.88	
1 1/2 x 1 x 8	1 1/2 x 1 x 8						139	9.00	0.00	
MPL84	AB6	6.50	4.00	9.00	6.50	4.00	148	10.5	1.50	
3 x 1 1/2 x 6	3 x 1 1/2 x 6						153	12.88	3.88	
* MPL52LF	A05-10	8.50	4.00	9.00	8.50	4.00	245	12.0	3.00	
2 x 1 x 10	2 x 1 x 10						252	12.38	3.38	
* MPL85	A10-6	8.25	4.00	9.00	8.25	4.00	258	13.0	4.00	
3 x 2 x 6	3 x 2 x 6						264	13.88	4.88	
							245	12.0	3.00	
							252	12.38	3.38	
							258	13.0	4.00	
							264	13.88	4.88	

* BASEPLATE MAY BE LEFT IN PLACE AND ADAPTER BLOCK THICKNESS ADJUSTED AS NEEDED. (REVIEW OLD BASE MOTOR PAD HEIGHT)

ALL DIMENSIONS ARE IN INCHES