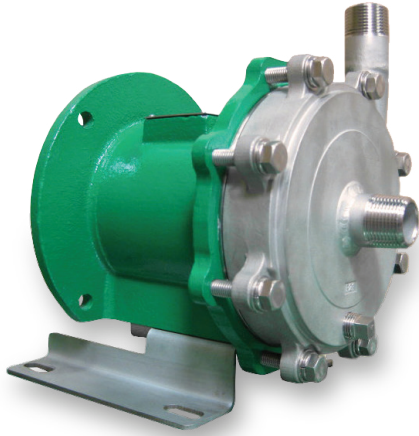


MAGNATEX® MMP Series



The MMP Series magnetically driven, sealless, centrifugal pumps are heavy-duty mag-drive pumps with superior SiC-X bearing materials for low flow applications. These close-coupled pumps are similar in construction to the MPL/MP Series, except the shaft is stationary and the suction/discharge ports are male NPT with optional flanges available.

The MMP Series pumps are high-quality, dependable, long-lasting, pumps utilizing our exclusive straddle bearing design and furnished with the shaft, thrust ring and bushing made of beta sintered silicon carbide material. Sealless pumps help eliminate "Reportable Release" issues.

All Magnetex® pumps and spare parts come with a 1-year unconditional warranty on materials and workmanship.

MAGNATEX® MMP Series Specifications

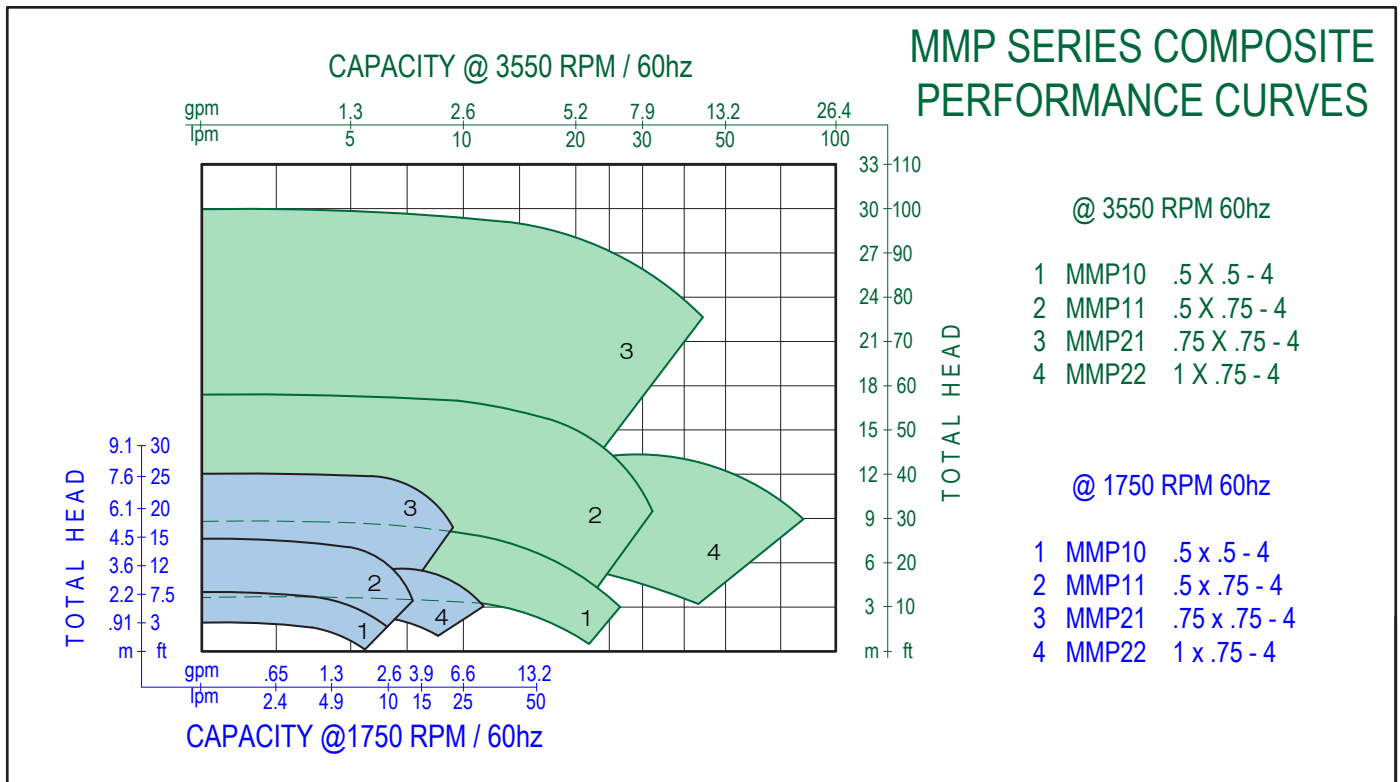
Maximum Flow	20 GPM
Maximum Head	95 FT
Liquid Temperature	-100° F to 536° F
Maximum Power	¾ HP
Connections	NPT or Optional Flanges
Bearings	SiC/SiC-X Standard
Working Pressure	85 psig
Impeller	Enclosed
Speeds	Up to 3550 rpm
Magnets	Neodymium
Motor	NEMA or IEC Frame Mounted

Materials of Construction:

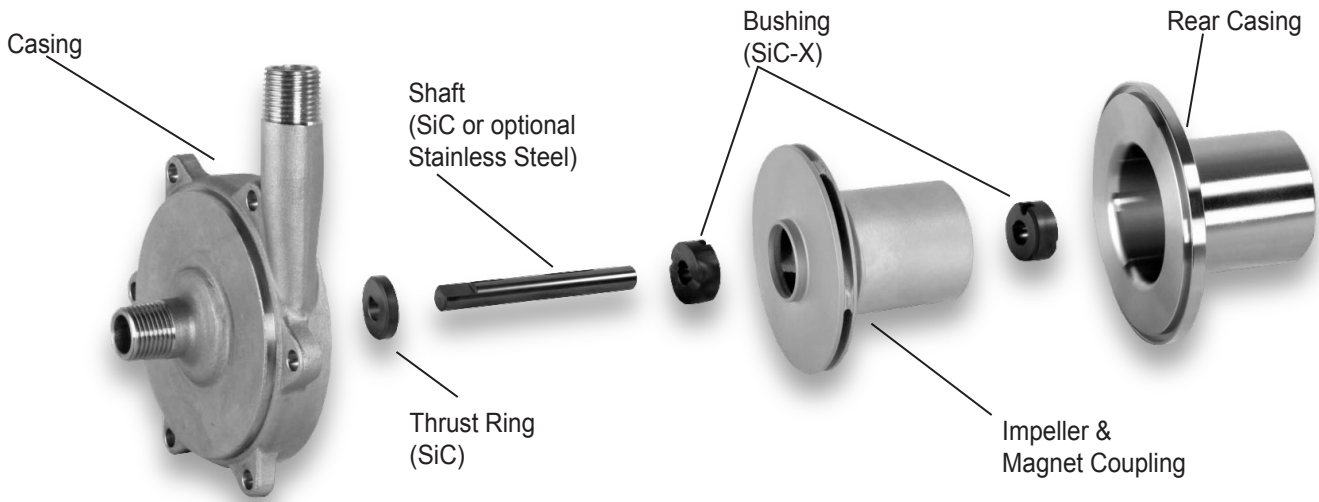
- 316SS
- Ceramic or Stainless Steel Shaft Option



Optional high-pressure models for suction conditions to 5,000 psi and more.

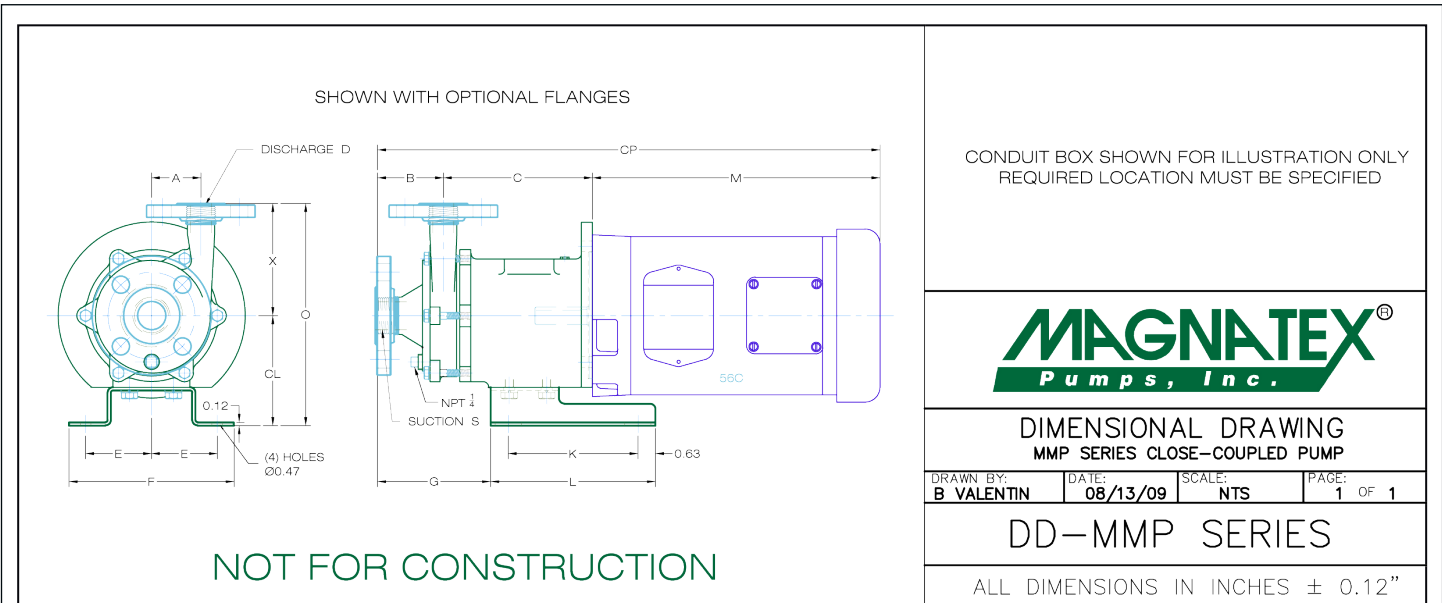


MAGNATEX® MMP Series Component View



(Magnatex standard model shown)

Optional high-pressure models for suction conditions to 5,000 psi and more



MODEL	MOTOR FRAME	DIMENSIONS										STANDARD NPT					* OPTIONAL 150# ANSI RF					APROX. WEIGHT lbs.	
		M	CP	B	C	E	F	G	K	L	CL	S	D	A	X	O	S	D	A	X'	O'	PUMP	MOTOR
MMP11	56 C	13.85 MAX	20.95	1.80	5.30	2.35	5.90	3.40	4.60	5.90	4.00	1/2	1.80	4.00	8.00	1/2	1.80	4.06	8.06	40	40		
MMP21			21.15	2.00	5.30			3.00				3/4	2.00	4.70	8.70	3/4	2.00	4.76	8.76	44	46		
MMP22			21.65	2.40	5.40			4.10				1/2	3/4	1.80	4.00	8.00	1/2	3/4	1.80	4.06	8.06	44	40

*DOES NOT CHANGE THE PRESSURE RATING OF THE PUMP